

Anderson Industries

2010 Updated PRICE LIST

Description	Seed Row Width*	Part #	Prices
OPENERS w/Carbide Replaceable Tips			
Edge-On			
AE-10 Liquid or NH3	4 - 5"	AM1085943G2	\$ 235.00
AE-10 Dry	4 - 5"	AM1085946G2	\$ 242.00
AE-12 Liquid or NH3	5 - 6"	AM1085944G2	\$ 236.00
AE-12 Dry	5 - 6"	AM1085947G2	\$ 248.00
Standard 50° Shanks			
AS-10 NH3	4 - 5"	AM1085937G2	\$ 240.00
AS-12 NH3	5 - 6"	AM1085940G2	\$ 240.00
Triple Shoot Attachment	(Rear Dry or Liquid)	All Models	AM1087949 \$ 5.39
Generation 2 Conversion Kit	(Field Installation)	All Models	AM1085566 \$ 37.00
SINGLE SHOOT OPENERS w/Carbide Replaceable Tips			
Standard 50° Shanks			
AS-SS	1"	AM1085951	\$ 133.00
AS-SS Liquid or NH3**	1"	AM1085961	\$ 149.00
Edge-On			
AE-SS	1"	AM1085948	\$ 149.00
AE-SS Liquid or NH3**	1"	AM1085962	\$ 165.00
SWEEP WING SINGLE SHOOT			
Standard 50° Shanks			
ASW-SS	1"	AM1073402	\$ 28.98
ASW-SS for Wilrich	1"	AM1086959	\$ 37.17
ASW-SS for DMI	1"	AM1085964	\$ 37.90
Edge-On			
ASW-SS	1"	AM1073405	\$ 49.00
DISC LEVELER			
Anderson Disc Leveler		AM1095837	\$ 295.00

ANDERSON INDUSTRIES

200 S HARRISON ST

ABERDEEN, SD 57401

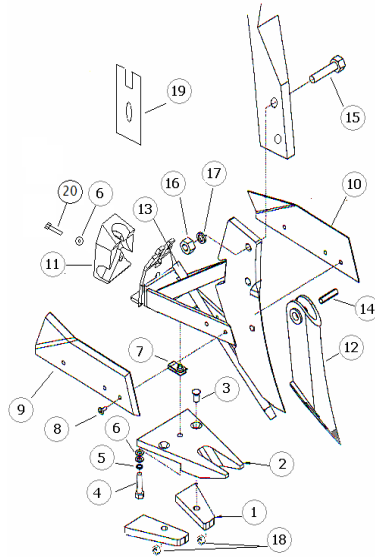
Phone (605)725-5208 / Fax (605)725-5209

E-mail - kory@anderson-industries.com

Effective Date: 1/1/10

Prices subject to change without notice.

Anderson Industries 2010 Price List



EDGE-ON TRIPLE SHOOT OPENER

<u>REF</u>	<u>PART NO</u>	<u>DESCRIPTION</u>	<u>PRICE</u>
1	AM1030570	Insert	\$ 7.60
	AM1086990	Left Hand Chrome Insert 5/8".....	\$ 7.60
	AM1086991	Right Hand Chrome Insert 5/8".....	\$ 7.60
	AM1033229	Narrow Insert (for use w/4" Seed Row)	\$ 10.40
	AM1086972	Insert, Narrow Left Hand.....	\$ 10.40
	AM1086973	Insert, Narrow Right Hand	\$ 10.40
2	AM1098730	Base Plate 15"	\$ 26.40
	AM1030417	Base Plate - 12" Spacing	\$ 10.70
	AM1030055	Base Plate - 10" Spacing	\$ 10.60
3	AM1030576	Screw-F-H-S-C 3/8" X , NC 1 1/4"	\$.48
4	00501201	Bolt, HxHd 3/8" x 1 1/2	\$.19
5	00506480	Washer, Lock 3/8"	\$.03
6	00506481	Washer, Flat 3/8"	\$.10
7	AM1030568	Nut, Speed Clip, 5/16".....	\$.47
8	AM1030567	Rivet, 8-8 Button Head	\$.27
	AM1030572	Rivet, 8-16 Button Head	\$.52
	AM1033324	Pound Rivet (for Field Replacement).....	\$.77
9	AM1030053	Standard Left Hand Side Shield	\$ 5.80
	AM1030054	Standard Right Hand Side Shield	\$ 5.80
10	AM1030051	Edge-On Left Hand Side Shield	\$ 5.80
	AM1030052	Edge-On Right Hand Side Shield	\$ 5.80
11	AM1087952	Back & Seed Tubes	\$ 23.25
12	AM1075375	Standard Carbide Replaceable Tip & Bolts	\$ 44.62
	AM1074392	Edge-On Carbide Replaceable Tip & Roll Pins	\$ 52.00
13	AM1032071	Standard Liquid Tube	\$ 11.61
	AM1032072	Standard Dry Tube	\$ 22.07
	AM1030559	Edge-On Liquid Tube	\$ 17.09
	AM1032070	Edge-On Dry Tube	\$ 22.05
14	AM0100344	Roll Pin 3/8" X 1 1/2" Edge-On	\$.56
	AM1017719	Bolt-Hex 1/2" X 3 1/4" Standard	\$.64
15	AM1011609	Bolt-Hex 1/2" X 2" Edge-On	\$.46
	AM1016858	Bolt-Hex 1/2" X 2 3/4" Standard	\$.75
16	AM1011097	Nut, Hex 1/2"	\$.11
17	AM1011581	Washer, Lock 1/2"	\$.22
18	AM1086974	Insert Lock Nut	\$.11
19	AM1032074	Back Brace For 10" to 15" Liquid Tube	\$ 7.60
	AM1032073	Back Brace For 10" to 15" Dry Tube	\$ 5.25
20	00506295	Bolt, HxHd 3/8" x 2 1/2	\$.11

ANDERSON INDUSTRIES

200 S HARRISON ST
ABERDEEN, SD 57401

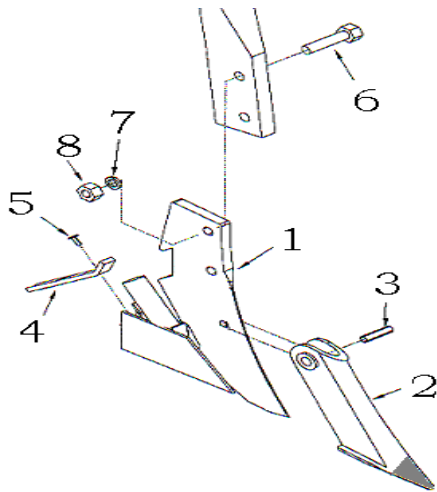
Phone (605)725-5208 / Fax (605)725-5209

E-mail - kory@anderson-industries.com

Effective Date: 1/1/10

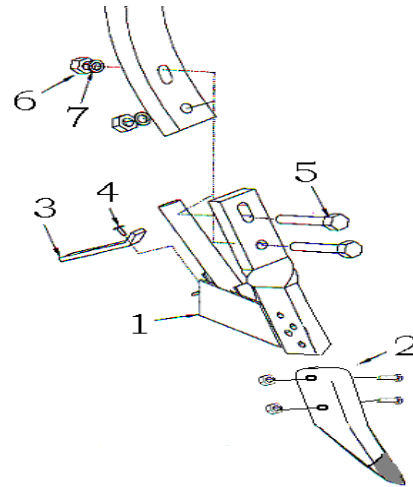
Prices subject to change without notice.

Anderson Industries 2010 Price List



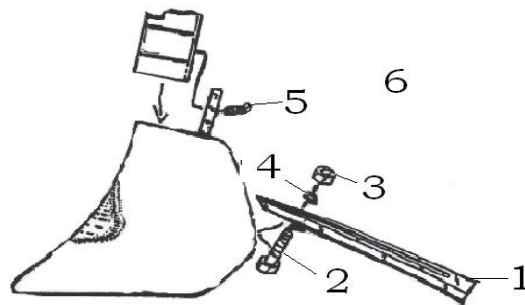
EDGE-ON SINGLE SHOOT OPENER

Ref	Part #	Description	Price
2	AM1074392	Tip, Edge-On w/Carbide	\$ 52.00
3	AM0100344	Roll Pin 3/8" X 1 1/2".....	\$.56
4	AM1033264	Tail, Plastic	\$ 2.20
5	AM1030567	Rivet, 8-8 Button Head	\$.27
	AM1033324	Pound Rivet (For Field Replacement)	\$.77
6	AM1011609	Bolt, Hex 1/2" X 2".....	\$.46
7	AM1011097	Nut, Hex, 1/2"	\$.11
8	AM1011581	Washer, Lock, 1/2"	\$.22



STANDARD SINGLE SHOOT OPENER

Ref	Part #	Description	Price
2	AM1075375	Tip, Standard w/Carbide & Bolts	\$ 44.62
3	AM1033264	Tail, Plastic	\$ 2.20
4	AM1030567	Rivet, 8-8 Button Head	\$.27
	AM1033324	Pound Rivet (For Field Replacement)	\$.77
5	AM1016858	Bolt, Hex 1/2" X 2 3/4"	\$.75
6	AM1011097	Nut, Hex, 1/2"	\$.11
7	AM1011581	Washer, Lock, 1/2"	\$.22
	AM1033283	Plate-Spacer (For Use w/2" X 1" Shanks)	\$ 1.10



ANDERSON SWEEP WING SINGLE SHOOT

Ref	Part #	Description	Price
1	AM1033325	Tail, Plastic	\$ 5.30
2	AM1033330	Bolt, Head # 24 X 1"	\$.58
3	AM1033331	Nut, Lock	\$.29
4	AM1011583	Washer, Flat 5/16"	\$.14
5	AM1033329	Screw 5/8"	\$.57

ANDERSON INDUSTRIES

200 S HARRISON ST
ABERDEEN, SD 57401

Phone (605)725-5208 / Fax (605)725-5209

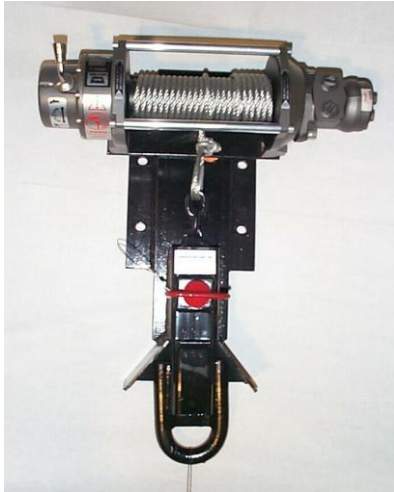
E-mail - kory@anderson-industries.com

Effective Date: 1/1/10

Prices subject to change without notice.

Anderson Industries

2010 Price List



<u>Part #</u>	<u>Description</u>	<u>Price</u>
ATH-HH	Torpedo Hitch, Hydraulic, Heavy Duty	\$ 2195.00
ATH-HE	Torpedo Hitch, Electric, Heavy Duty	\$ 1995.00
AM303336	Hitch Mount, Old Style, Tow Behind	\$ 71.23
AM303363	Hitch Mount, New Style (97 & Newer Concord)	\$ 97.26
AM303337	Mount, Flexicoil	\$ 210.60
AM303567	Hydraulic Control Valve, Lever Type	\$ 249.27
AMGO14152	Aircraft Cable, 5/16" (For Heavy Each Takes 25')	\$ 2.42
AMCLPSDF5/16	Rope Clip, 5/16" Galvanized Drop Forged Wire	\$ 3.20
AMTHMB5/16	Rope Thimble, 5/16" Galvanized Heavy Duty Wire	\$ 1.67
AMGO14155	U For Torpedo	\$ 29.87
33445	Winch, Hydraulic w/ 25' Cable	\$ 1,790.00
20910	Winch, Electric w/25' Cable	\$ 1,527.00

ANDERSON INDUSTRIES

200 S HARRISON ST

ABERDEEN, SD 57401

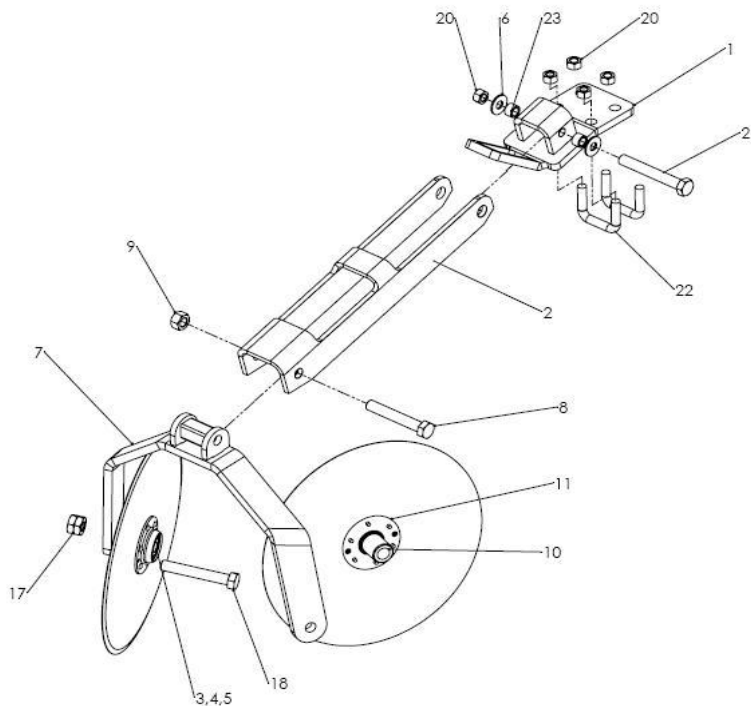
Phone (605)725-5208 / Fax (605)725-5209

E-mail - kory@anderson-industries.com

Effective Date: 1/1/10

Prices subject to change without notice.

Anderson Industries 2010 Price List



Anderson Disc Leveler

Ref #	Quantity	Part #	Description	Price Each
1	1	05901250	Leveler Arm Shank Bracket	\$ 65.00
2	1	05901150	Leveler Arm	\$ 49.00
3	2	00509453	Dust Cap - Strap	\$ 4.54
4	4	00508509	Bolt, Hexhd 1/4" - 20 NC x 3/4" GR .5 ZN	\$.25
5	4	00509454	Nut, Reverse Lock 1/4"-20	\$.07
6	2	00501205	Washer, Flat 1/2"	\$.11
7	1	05213120	Disc Holder - Version 2003	\$ 87.19
8	1	00501322	Bolt, Hexhd 5/8" NC 4 1/2" GR.5 ZN.....	\$ 3.25
9	1	00501111	Nut, Hex, Nylock 5/8" NC	\$.51
10	2	05213115	Bushing for Disc Holder	\$ 4.13
11	2	00509460	Disc Blade Assembly	\$ 37.20
12	1	05901204	Mounting Sq. Spacer	\$ 1.37
13	8	00509740	Washer, Flat 5/8" SAE	\$.13
17	4	00501109	Nut, Jam 5/8"	\$.30
18	2	00501110	Bolt, Hexhd 5/8" NC 2 1/2" GR .5 ZN	\$ 1.24
19	2	00509740	Washer, Flat 5/8" SAE	\$.13
20	5	00506210	Nut, Hex, Nylock 1/2"-13 NC GR .5 ZN	\$.31
21	1	05901001	Bolt, Hexhd 1/2"-13 NC X 4 1/2" GR .5 ZN	\$ 2.05
22	2	05901002	U-Bolt, 1/2" x 2 1/8" x 2 1/2"	\$ 8.72
23	2	05901000	Bushing 3/4" x 1/2" x 1/2"	\$ 6.40

ANDERSON INDUSTRIES

200 S HARRISON ST
ABERDEEN, SD 57401

Phone (605)725-5208 / Fax (605)725-5209

E-mail - kory@anderson-industries.com

Effective Date: 1/1/10

Prices subject to change without notice.